

Diamond Wall Insulating System Typical Details

PRODUCTS INTERNATIONAL

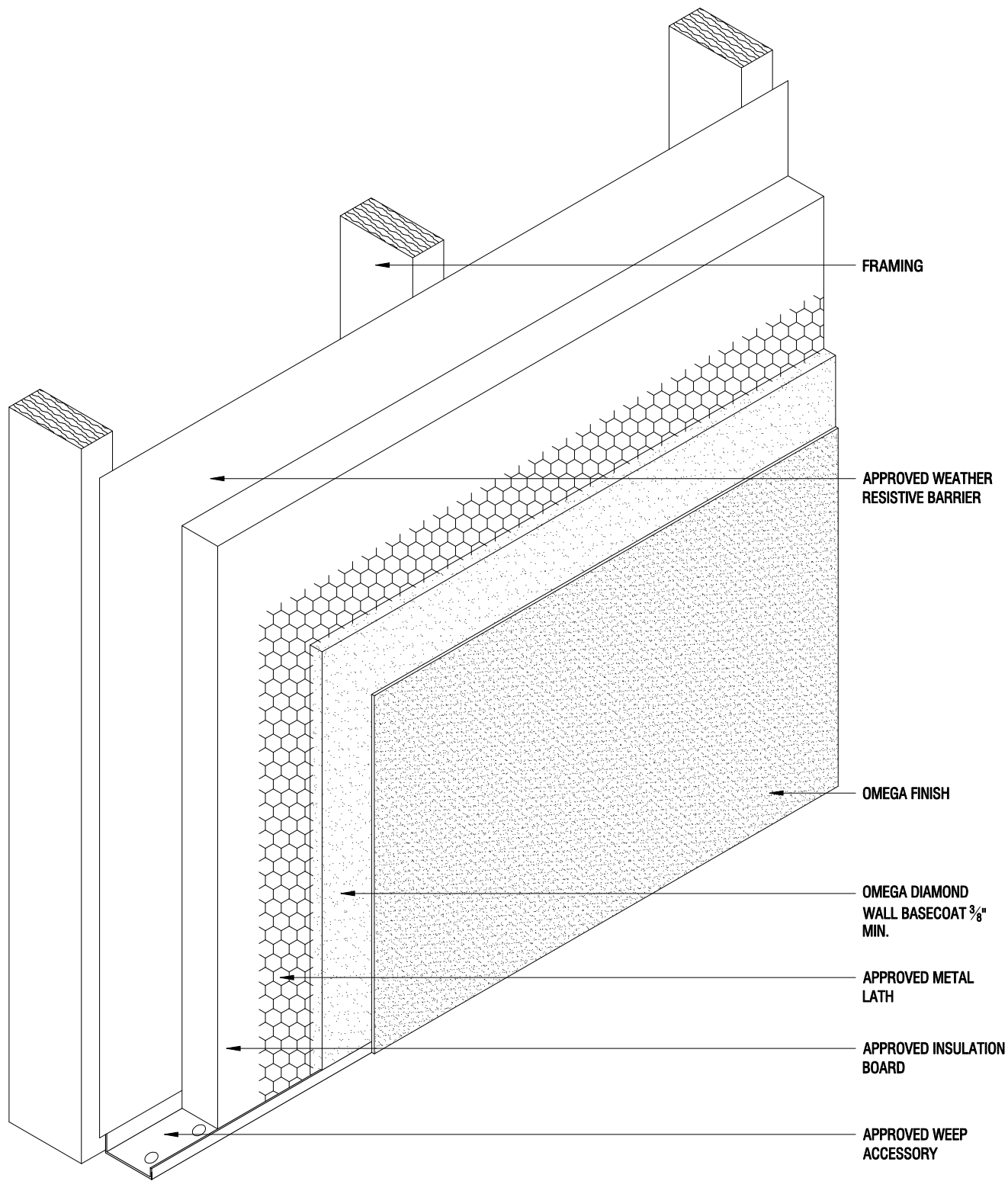
DIAMOND WALL INSULATING SYSTEM

Table of Contents

- DWI 01 APPLICATION OVER OPEN FRAMING
- DWI 02 TYPICAL TERMINATION AT FOUNDATION
- DWI 03 TYPICAL TERMINATION AT DECK
- DWI 04 HORIZONTAL \ VERTICAL TYPICAL CONTROL JOINT
- DWI 05 TYPICAL EXPANSION JOINTS
- DWI 06 TYPICAL CORNER DETAILS
- DWI 07 FLASHING MEMBRANE AND WRB APPLICATIONS SEQUENCE
- DWI 08 FLASHING MEMBRANE AND WRB APPLICATIONS SEQUENCE
- DWI 09 TYPICAL TERMINATION AT WINDOW HEAD AND SILL
- DWI 10 TYPICAL PARAPET WITH METAL CAP
- DWI 11 TYPICAL PARAPET
- DWI 12 ROOF/WALL KICK-OUT FLASHING DETAIL
- DWI 13 TYPICAL FOAM PLANT-ONS
- DWI 14 SOFFIT AND EVE TERMINATIONS

www.omega-products.com





FRAMING

APPROVED WEATHER RESISTIVE BARRIER

OMEGA FINISH

OMEGA DIAMOND WALL BASECOAT $\frac{3}{8}$ " MIN.

APPROVED METAL LATH

APPROVED INSULATION BOARD

APPROVED WEEP ACCESSORY

THE ARCHITECTURE, ENGINEERING, AND DESIGN OF THE PROJECT USING OMEGA PRODUCTS IS THE RESPONSIBILITY OF THE PROJECT'S DESIGN PROFESSIONAL. ALL SYSTEMS MUST COMPLY WITH LOCAL BUILDING CODES AND STANDARDS. THIS DETAIL IS FOR GENERAL INFORMATION AND GUIDANCE ONLY, AND OMEGA INC. SPECIFICALLY DISCLAIMS ANY LIABILITY FOR THE USE OF THIS DETAIL AND FOR THE ARCHITECTURE, DESIGN, ENGINEERING, OR WORKMANSHIP OF ANY PROJECT. THE PROJECT DESIGN PROFESSIONAL DETERMINES, IN ITS SOLE DISCRETION, WHETHER THIS DETAIL OR A FUNCTIONALLY EQUIVALENT ALTERNATIVE IS BEST SUITED FOR THE THE PROJECT. USE OF A FUNCTIONALLY EQUIVALENT DETAIL DOES NOT VIOLATE OMEGA'S WARRANTY. THIS DETAIL IS SUBJECT TO CHANGE WITHOUT NOTICE. CONTACT OMEGA TO INSURE YOU HAVE THE MOST RECENT VERSION.



CORPORATE OFFICE
 1681 CALIFORNIA AVE., CORONA, CA 92881
 E-MAIL: INFO@OMEGA-PRODUCTS.COM
 WEBSITE: WWW.OMEGA-PRODUCTS.COM

DIAMOND WALL ONE-COAT INSULATING SYSTEM DETAILS

APPLICATION OVER OPEN FRAMING

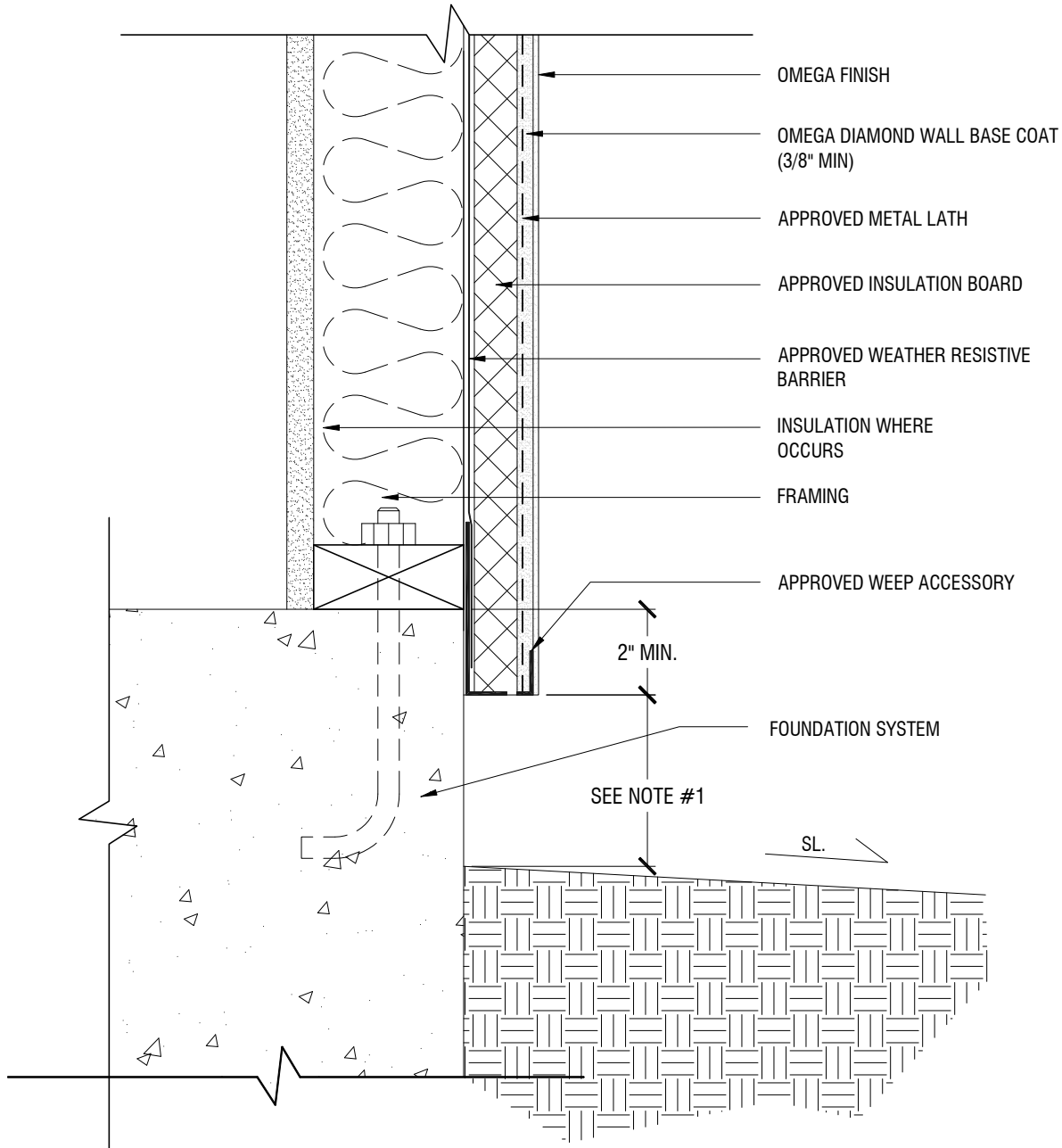
SCALE: 3" = 1'-0"

DRAWING NO.: DWI 01.00

DRAWN: JUNE 2011

NOTES

1. 4" MIN. ABOVE GRADE, 2" MIN. ABOVE PAVED SURFACES/HARDSCAPE, OR AS SPECIFIED BY LOCAL CODE



THE ARCHITECTURE, ENGINEERING, AND DESIGN OF THE PROJECT USING OMEGA PRODUCTS IS THE RESPONSIBILITY OF THE PROJECT'S DESIGN PROFESSIONAL. ALL SYSTEMS MUST COMPLY WITH LOCAL BUILDING CODES AND STANDARDS. THIS DETAIL IS FOR GENERAL INFORMATION AND GUIDANCE ONLY, AND OMEGA INC. SPECIFICALLY DISCLAIMS ANY LIABILITY FOR THE USE OF THIS DETAIL AND FOR THE ARCHITECTURE, DESIGN, ENGINEERING, OR WORKMANSHIP OF ANY PROJECT. THE PROJECT DESIGN PROFESSIONAL DETERMINES, IN ITS SOLE DISCRETION, WHETHER THIS DETAIL OR A FUNCTIONALLY EQUIVALENT ALTERNATIVE IS BEST SUITED FOR THE THE PROJECT. USE OF A FUNCTIONALLY EQUIVALENT DETAIL DOES NOT VIOLATE OMEGA'S WARRANTY. THIS DETAIL IS SUBJECT TO CHANGE WITHOUT NOTICE. CONTACT OMEGA TO INSURE YOU HAVE THE MOST RECENT VERSION.

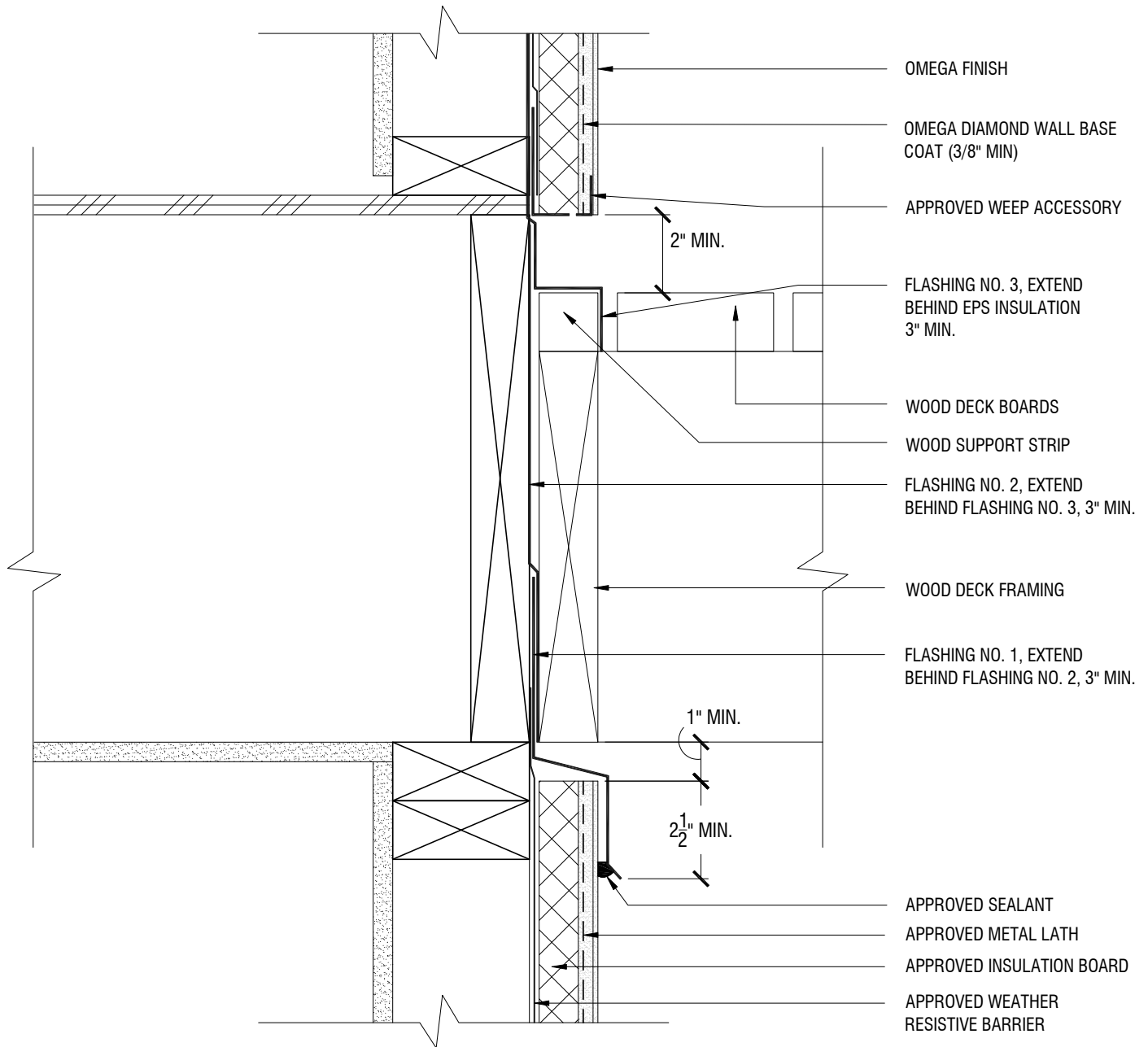


CORPORATE OFFICE
 1681 CALIFORNIA AVE., CORONA, CA 92881
 E-MAIL: INFO@OMEGA-PRODUCTS.COM
 WEBSITE: WWW.OMEGA-PRODUCTS.COM

**DIAMOND WALL ONE-COAT
 INSULATING SYSTEM DETAILS**

**TYPICAL TERMINATION
 AT FOUNDATION**

SCALE: 3"=1'-0" DRAWING NO.: DWI 02.00 DRAWN: JUNE 2011



THE ARCHITECTURE, ENGINEERING, AND DESIGN OF THE PROJECT USING OMEGA PRODUCTS IS THE RESPONSIBILITY OF THE PROJECT'S DESIGN PROFESSIONAL. ALL SYSTEMS MUST COMPLY WITH LOCAL BUILDING CODES AND STANDARDS. THIS DETAIL IS FOR GENERAL INFORMATION AND GUIDANCE ONLY, AND OMEGA INC. SPECIFICALLY DISCLAIMS ANY LIABILITY FOR THE USE OF THIS DETAIL AND FOR THE ARCHITECTURE, DESIGN, ENGINEERING, OR WORKMANSHIP OF ANY PROJECT. THE PROJECT DESIGN PROFESSIONAL DETERMINES, IN ITS SOLE DISCRETION, WHETHER THIS DETAIL OR A FUNCTIONALLY EQUIVALENT ALTERNATIVE IS BEST SUITED FOR THE THE PROJECT. USE OF A FUNCTIONALLY EQUIVALENT DETAIL DOES NOT VIOLATE OMEGA'S WARRANTY. THIS DETAIL IS SUBJECT TO CHANGE WITHOUT NOTICE. CONTACT OMEGA TO INSURE YOU HAVE THE MOST RECENT VERSION.



CORPORATE OFFICE
 1681 CALIFORNIA AVE., CORONA, CA 92881
 E-MAIL: INFO@OMEGA-PRODUCTS.COM
 WEBSITE: WWW.OMEGA-PRODUCTS.COM

DIAMOND WALL ONE-COAT INSULATING SYSTEM DETAILS

TYPICAL TERMINATION AT DECK

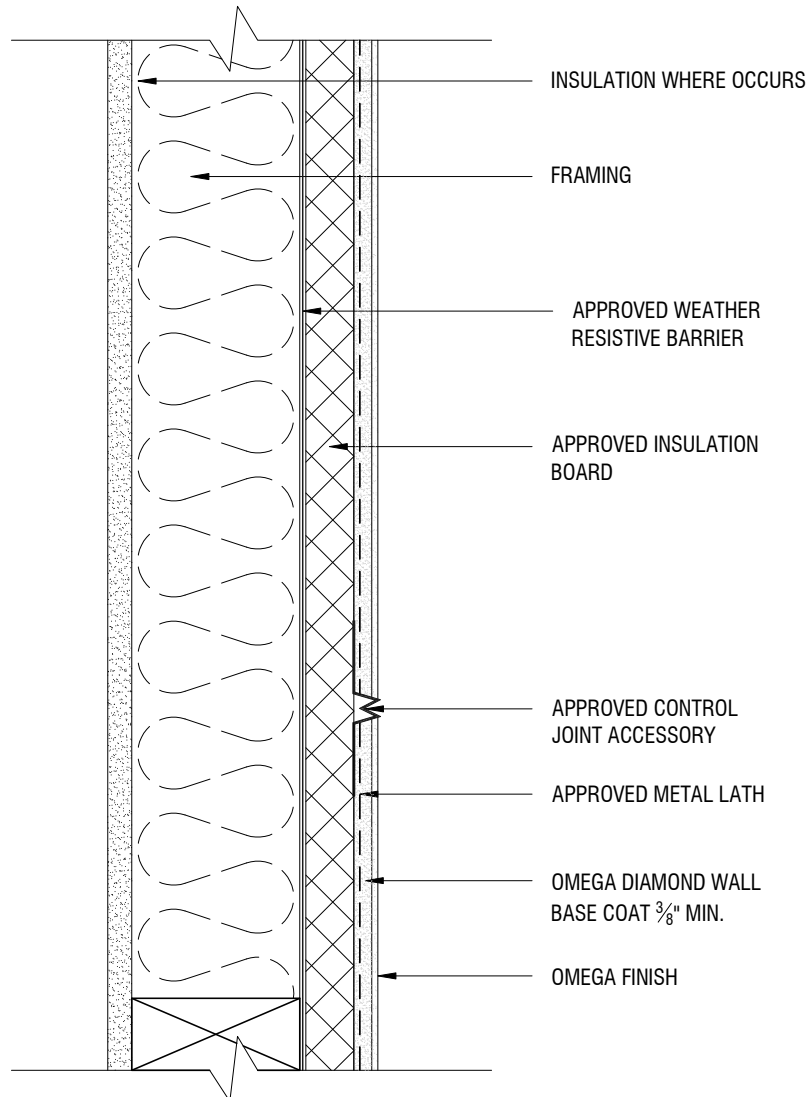
SCALE: 3"=1'-0"

DRAWING NO.: DWI 03.00

DRAWN: JUNE 2011

NOTES

1. RESTRICT USE OF THIS DETAIL TO AREA WHERE MINIMAL MOVEMENT IS ANTICIPATED
2. IF MOVEMENT IS ANTICIPATED REFER TO OMEGA DWIS 05.00.
3. AESTHETIC JOINTS MAY BE INSTALLED OVER METAL LATH AND WIRE TIED.



THE ARCHITECTURE, ENGINEERING, AND DESIGN OF THE PROJECT USING OMEGA PRODUCTS IS THE RESPONSIBILITY OF THE PROJECT'S DESIGN PROFESSIONAL. ALL SYSTEMS MUST COMPLY WITH LOCAL BUILDING CODES AND STANDARDS. THIS DETAIL IS FOR GENERAL INFORMATION AND GUIDANCE ONLY, AND OMEGA INC. SPECIFICALLY DISCLAIMS ANY LIABILITY FOR THE USE OF THIS DETAIL AND FOR THE ARCHITECTURE, DESIGN, ENGINEERING, OR WORKMANSHIP OF ANY PROJECT. THE PROJECT DESIGN PROFESSIONAL DETERMINES, IN ITS SOLE DISCRETION, WHETHER THIS DETAIL OR A FUNCTIONALLY EQUIVALENT ALTERNATIVE IS BEST SUITED FOR THE THE PROJECT. USE OF A FUNCTIONALLY EQUIVALENT DETAIL DOES NOT VIOLATE OMEGA'S WARRANTY. THIS DETAIL IS SUBJECT TO CHANGE WITHOUT NOTICE. CONTACT OMEGA TO INSURE YOU HAVE THE MOST RECENT VERSION.



CORPORATE OFFICE
1681 CALIFORNIA AVE., CORONA, CA 92881
E-MAIL: INFO@OMEGA-PRODUCTS.COM
WEBSITE: WWW.OMEGA-PRODUCTS.COM

DIAMOND WALL ONE-COAT INSULATING SYSTEM DETAILS

HORIZONTAL \ VERTICAL
TYPICAL CONTROL JOINT

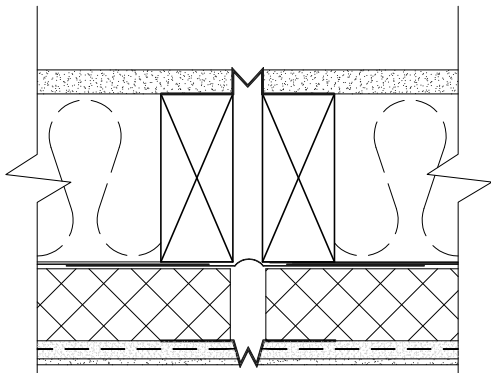
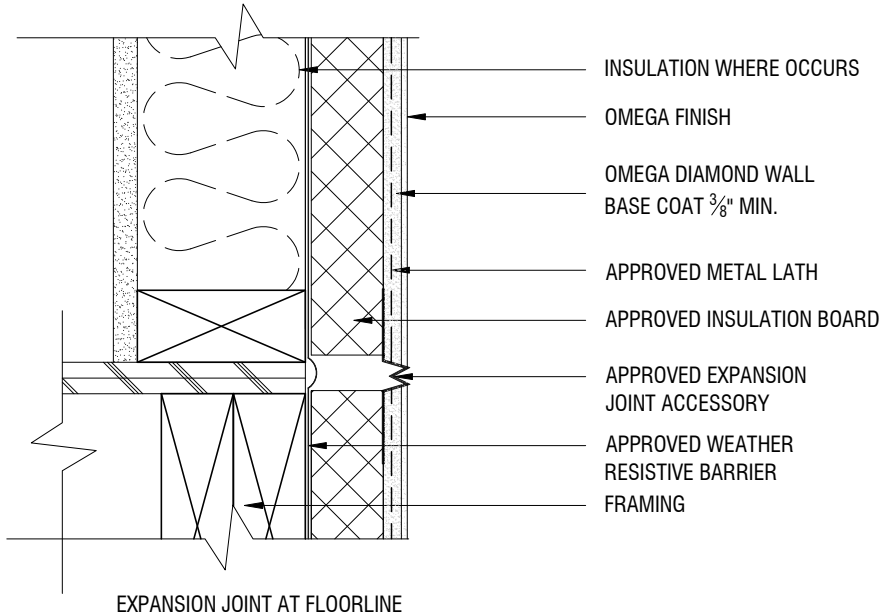
SCALE: 3"=1'-0"

DRAWING NO.: DWI 04.00

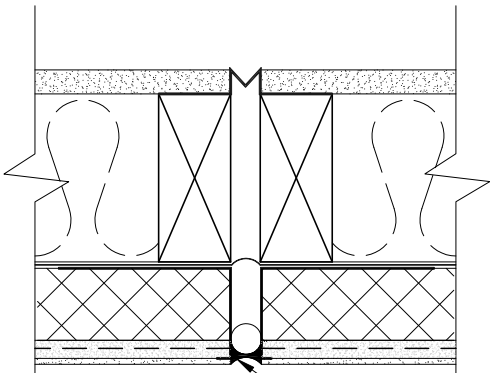
DRAWN: JUNE 2011

NOTES

1. AN OPTIONAL FLASHING MEMBRANE MAY BE USED BEHIND THE EXPANSION JOINT.



VERTICAL EXPANSION JOINT WITH APPROVED
EXPANSION JOINT ACCESSORY



VERTICAL EXPANSION JOINT WITH
BACKER ROD AND SEALANT

APPROVED BACKER
ROD AND SEALANT

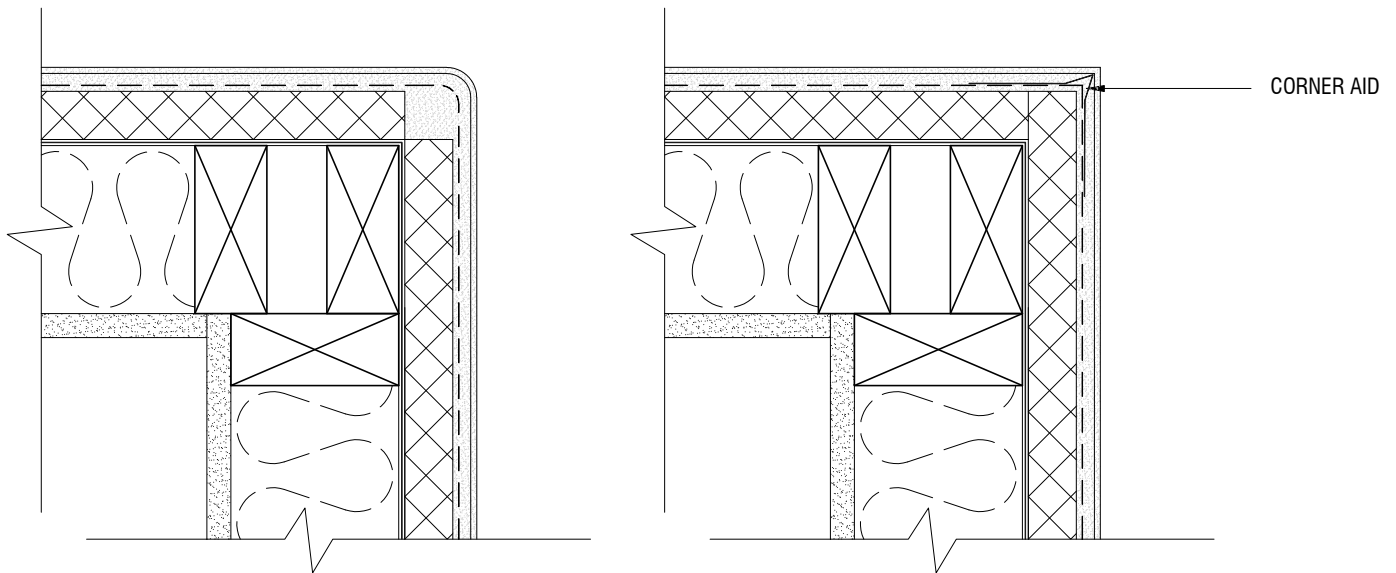
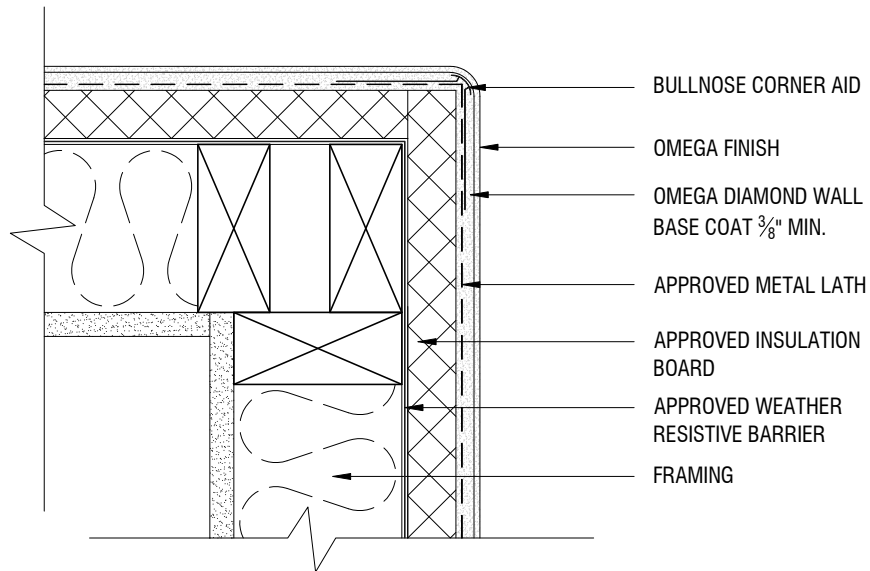
THE ARCHITECTURE, ENGINEERING, AND DESIGN OF THE PROJECT USING OMEGA PRODUCTS IS THE RESPONSIBILITY OF THE PROJECT'S DESIGN PROFESSIONAL. ALL SYSTEMS MUST COMPLY WITH LOCAL BUILDING CODES AND STANDARDS. THIS DETAIL IS FOR GENERAL INFORMATION AND GUIDANCE ONLY, AND OMEGA INC. SPECIFICALLY DISCLAIMS ANY LIABILITY FOR THE USE OF THIS DETAIL AND FOR THE ARCHITECTURE, DESIGN, ENGINEERING, OR WORKMANSHIP OF ANY PROJECT. THE PROJECT DESIGN PROFESSIONAL DETERMINES, IN ITS SOLE DISCRETION, WHETHER THIS DETAIL OR A FUNCTIONALLY EQUIVALENT ALTERNATIVE IS BEST SUITED FOR THE THE PROJECT. USE OF A FUNCTIONALLY EQUIVALENT DETAIL DOES NOT VIOLATE OMEGA'S WARRANTY. THIS DETAIL IS SUBJECT TO CHANGE WITHOUT NOTICE. CONTACT OMEGA TO INSURE YOU HAVE THE MOST RECENT VERSION.



CORPORATE OFFICE
1681 CALIFORNIA AVE., CORONA, CA 92881
E-MAIL: INFO@OMEGA-PRODUCTS.COM
WEBSITE: WWW.OMEGA-PRODUCTS.COM

**DIAMOND WALL ONE-COAT
INSULATING SYSTEM DETAILS**

TYPICAL EXPANSION JOINTS



THE ARCHITECTURE, ENGINEERING, AND DESIGN OF THE PROJECT USING OMEGA PRODUCTS IS THE RESPONSIBILITY OF THE PROJECT'S DESIGN PROFESSIONAL. ALL SYSTEMS MUST COMPLY WITH LOCAL BUILDING CODES AND STANDARDS. THIS DETAIL IS FOR GENERAL INFORMATION AND GUIDANCE ONLY, AND OMEGA INC. SPECIFICALLY DISCLAIMS ANY LIABILITY FOR THE USE OF THIS DETAIL AND FOR THE ARCHITECTURE, DESIGN, ENGINEERING, OR WORKMANSHIP OF ANY PROJECT. THE PROJECT DESIGN PROFESSIONAL DETERMINES, IN ITS SOLE DISCRETION, WHETHER THIS DETAIL OR A FUNCTIONALLY EQUIVALENT ALTERNATIVE IS BEST SUITED FOR THE THE PROJECT. USE OF A FUNCTIONALLY EQUIVALENT DETAIL DOES NOT VIOLATE OMEGA'S WARRANTY. THIS DETAIL IS SUBJECT TO CHANGE WITHOUT NOTICE. CONTACT OMEGA TO INSURE YOU HAVE THE MOST RECENT VERSION.



CORPORATE OFFICE
 1681 CALIFORNIA AVE., CORONA, CA 92881
 E-MAIL: INFO@OMEGA-PRODUCTS.COM
 WEBSITE: WWW.OMEGA-PRODUCTS.COM

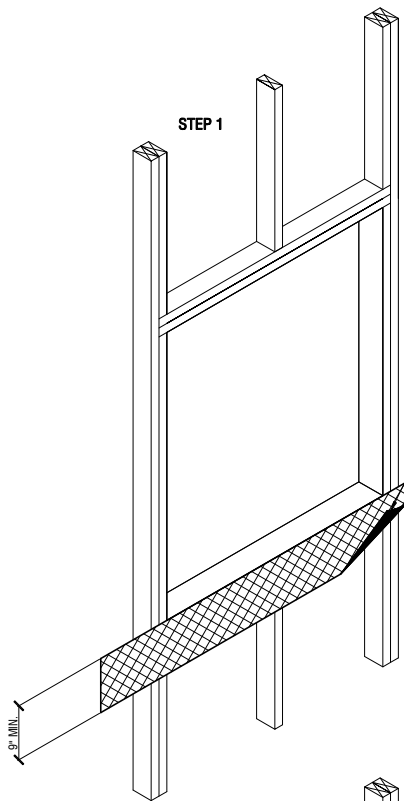
DIAMOND WALL ONE-COAT INSULATING SYSTEM DETAILS

TYPICAL CORNER DETAILS

SCALE: 3"=1'-0"

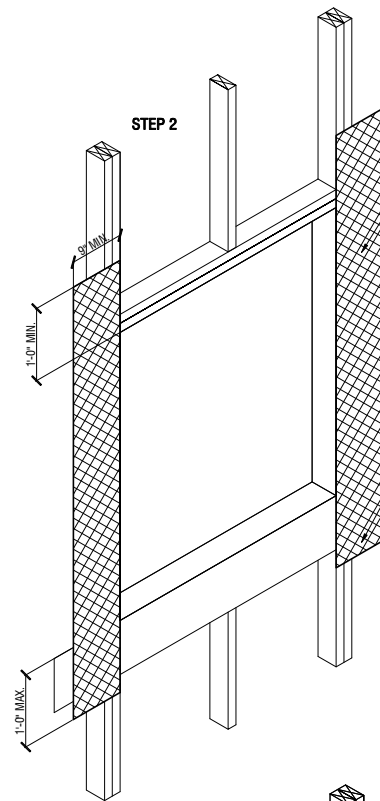
DRAWING NO.: DWI 06.00

DRAWN: JUNE 2011



STEP 1

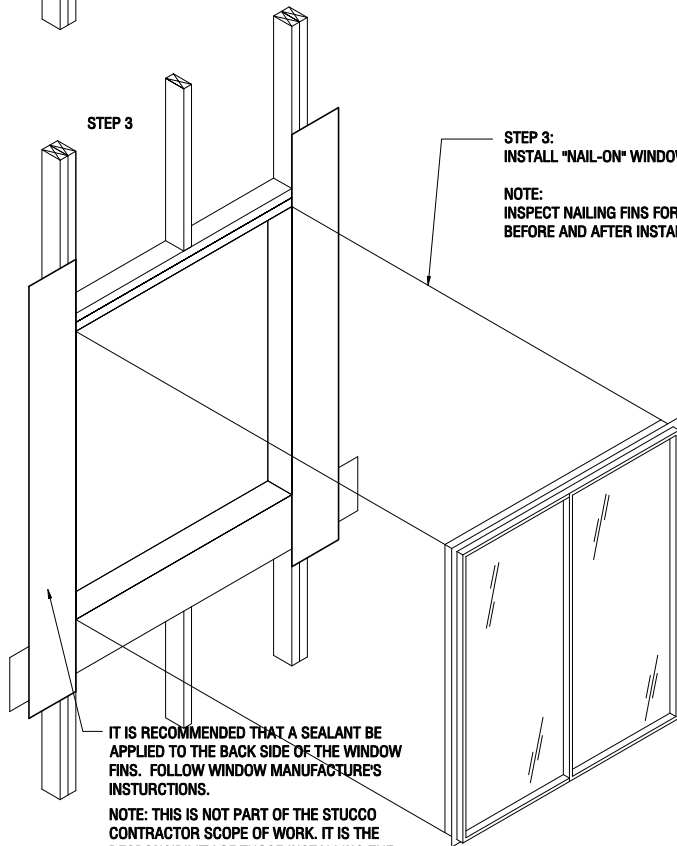
STEP 1:
INSTALL SILL FLASHING MEMBRANE,
LEAVE BOTTOM EDGE UNATTACHED
FOR WEATHER RESISTANT BARRIER
TO GO UNDERNEATH FLASHING



STEP 2

STEP 2:
INSTALL JAMB FLASHING AT
SIDES OF OPENING

NOTE:
LEAVE BOTTOM EDGE
UNATTACHED FOR WEATHER
RESISTANT BARRIER
INSTALLATION TO GO
UNDERNEATH FLASHING



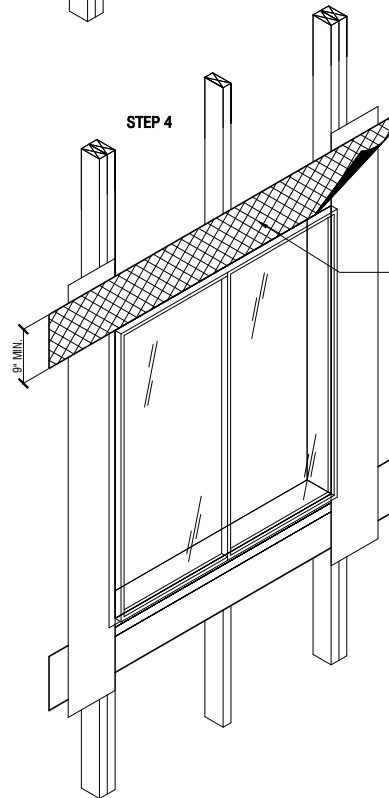
STEP 3

STEP 3:
INSTALL "NAIL-ON" WINDOW

NOTE:
INSPECT NAILING FINN FOR DAMAGE
BEFORE AND AFTER INSTALLATION

IT IS RECOMMENDED THAT A SEALANT BE
APPLIED TO THE BACK SIDE OF THE WINDOW
FINN. FOLLOW WINDOW MANUFACTURE'S
INSTURCTIONS.

NOTE: THIS IS NOT PART OF THE STUCCO
CONTRACTOR SCOPE OF WORK. IT IS THE
RESPONSIBILITY OF THOSE INSTALLING THE
WINDOW



STEP 4

STEP 4:
INSTALL HEAD FLASHING
MEMBRANE OVER TOP OF
WINDOW FLANGE

THE ARCHITECTURE, ENGINEERING, AND DESIGN OF THE PROJECT USING OMEGA PRODUCTS IS THE RESPONSIBILITY OF THE PROJECT'S DESIGN PROFESSIONAL. ALL SYSTEMS MUST COMPLY WITH LOCAL BUILDING CODES AND STANDARDS. THIS DETAIL IS FOR GENERAL INFORMATION AND GUIDANCE ONLY, AND OMEGA INC. SPECIFICALLY DISCLAIMS ANY LIABILITY FOR THE USE OF THIS DETAIL AND FOR THE ARCHITECTURE, DESIGN, ENGINEERING, OR WORKMANSHIP OF ANY PROJECT. THE PROJECT DESIGN PROFESSIONAL DETERMINES, IN ITS SOLE DISCRETION, WHETHER THIS DETAIL OR A FUNCTIONALLY EQUIVALENT ALTERNATIVE IS BEST SUITED FOR THE THE PROJECT. USE OF A FUNCTIONALLY EQUIVALENT DETAIL DOES NOT VIOLATE OMEGA'S WARRANTY. THIS DETAIL IS SUBJECT TO CHANGE WITHOUT NOTICE. CONTACT OMEGA TO INSURE YOU HAVE THE MOST RECENT VERSION.



CORPORATE OFFICE
1681 CALIFORNIA AVE., CORONA, CA 92881
E-MAIL: INFO@OMEGA-PRODUCTS.COM
WEBSITE: WWW.OMEGA-PRODUCTS.COM

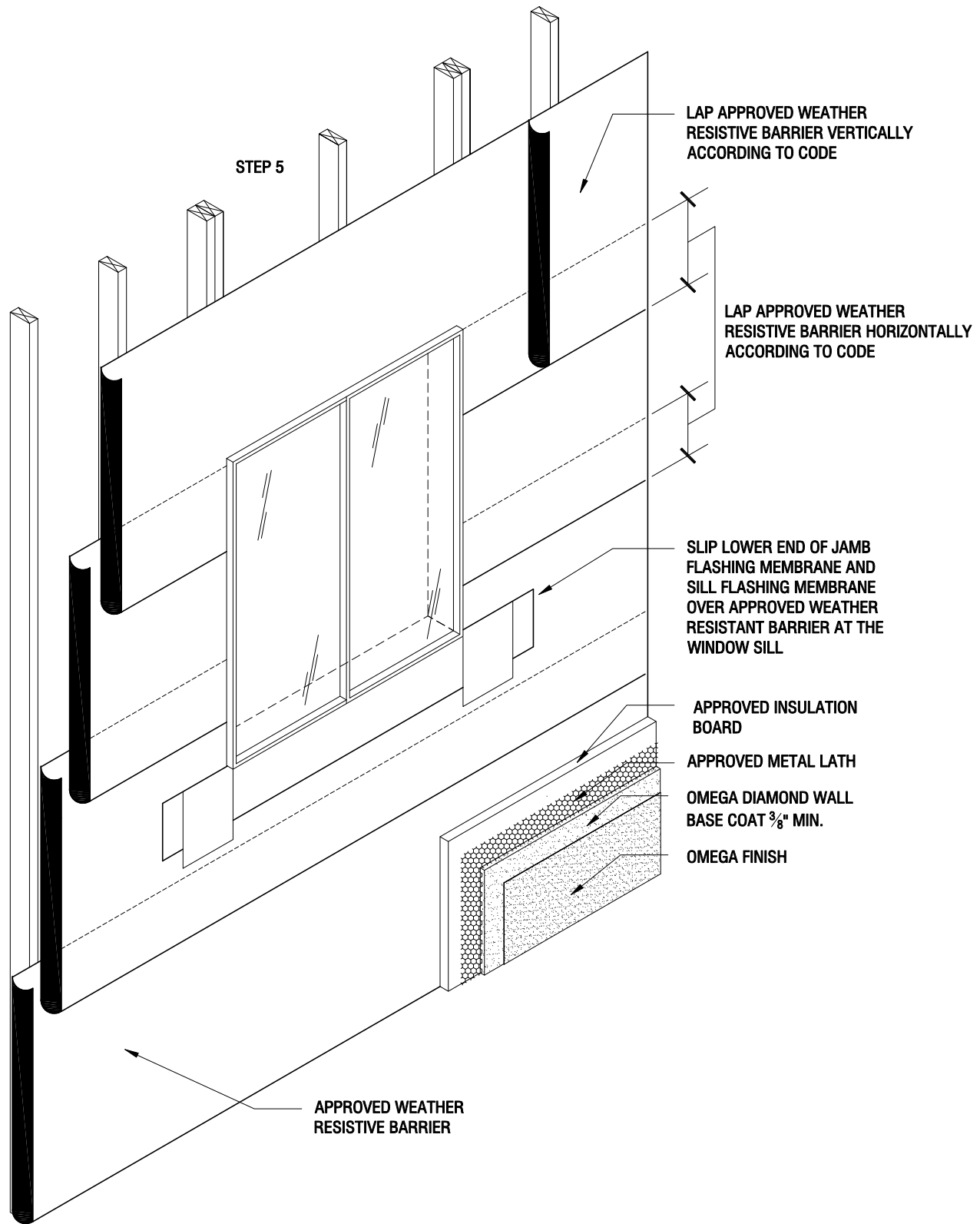
DIAMOND WALL ONE-COAT INSULATING SYSTEM DETAILS

FLASHING MEMBRANE AND WEATHER RESISTIVE BARRIER APPLICATIONS SEQUENCE

SCALE: 3" = 1'-0"

DRAWING NO.: DWI 07.00

DRAWN: JUNE 2011



THE ARCHITECTURE, ENGINEERING, AND DESIGN OF THE PROJECT USING OMEGA PRODUCTS IS THE RESPONSIBILITY OF THE PROJECT'S DESIGN PROFESSIONAL. ALL SYSTEMS MUST COMPLY WITH LOCAL BUILDING CODES AND STANDARDS. THIS DETAIL IS FOR GENERAL INFORMATION AND GUIDANCE ONLY, AND OMEGA INC. SPECIFICALLY DISCLAIMS ANY LIABILITY FOR THE USE OF THIS DETAIL AND FOR THE ARCHITECTURE, DESIGN, ENGINEERING, OR WORKMANSHIP OF ANY PROJECT. THE PROJECT DESIGN PROFESSIONAL DETERMINES, IN ITS SOLE DISCRETION, WHETHER THIS DETAIL OR A FUNCTIONALLY EQUIVALENT ALTERNATIVE IS BEST SUITED FOR THE THE PROJECT. USE OF A FUNCTIONALLY EQUIVALENT DETAIL DOES NOT VIOLATE OMEGA'S WARRANTY. THIS DETAIL IS SUBJECT TO CHANGE WITHOUT NOTICE. CONTACT OMEGA TO INSURE YOU HAVE THE MOST RECENT VERSION.



CORPORATE OFFICE
 1681 CALIFORNIA AVE., CORONA, CA 92881
 E-MAIL: INFO@OMEGA-PRODUCTS.COM
 WEBSITE: WWW.OMEGA-PRODUCTS.COM

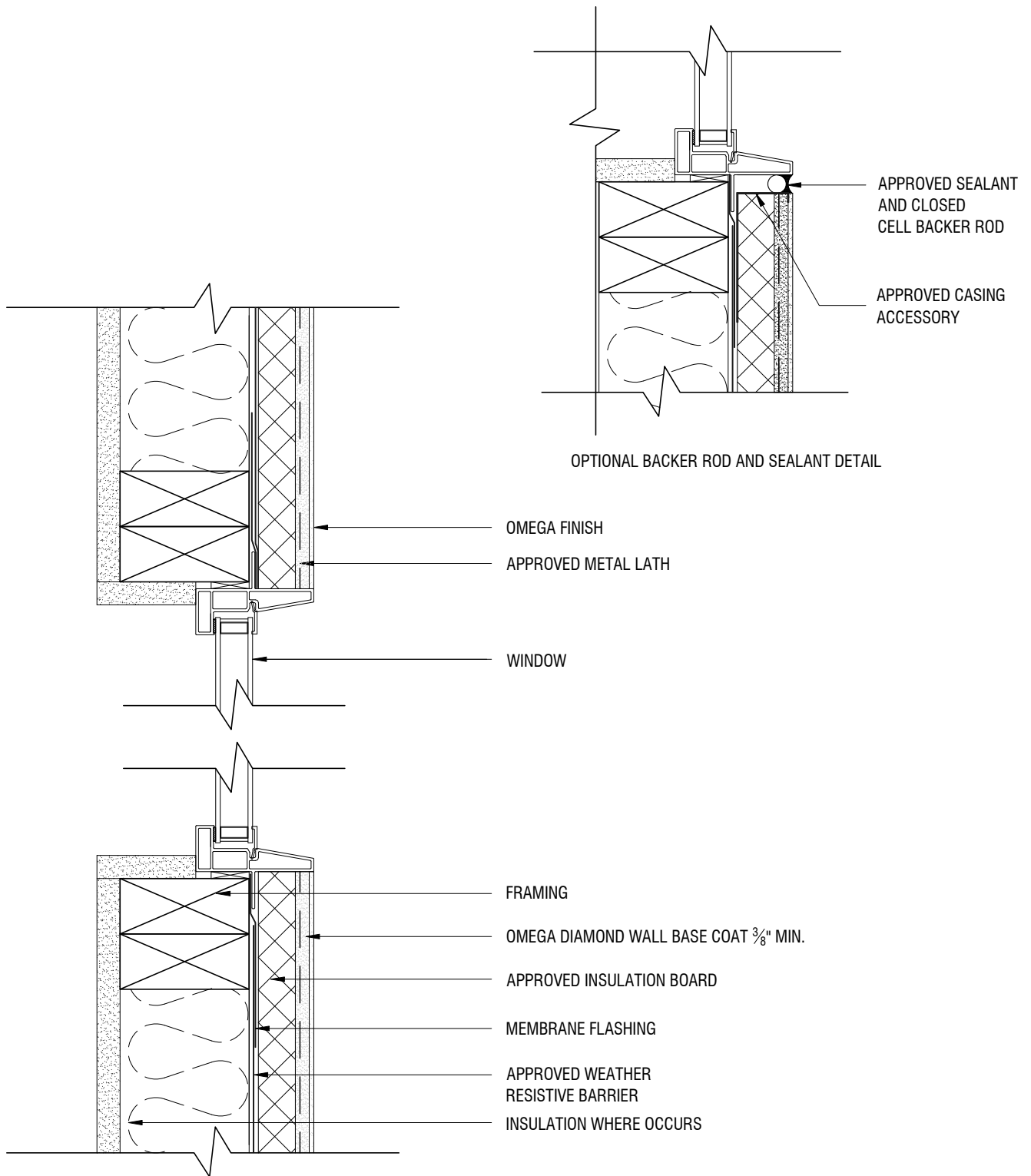
DIAMOND WALL ONE-COAT INSULATING SYSTEM DETAILS

FLASHING MEMBRANE AND WEATHER RESISTIVE BARRIER APPLICATIONS SEQUENCE

SCALE: NONE

DRAWING NO.: DWI 08.00

DRAWN: JUNE 2011



THE ARCHITECTURE, ENGINEERING, AND DESIGN OF THE PROJECT USING OMEGA PRODUCTS IS THE RESPONSIBILITY OF THE PROJECT'S DESIGN PROFESSIONAL. ALL SYSTEMS MUST COMPLY WITH LOCAL BUILDING CODES AND STANDARDS. THIS DETAIL IS FOR GENERAL INFORMATION AND GUIDANCE ONLY, AND OMEGA INC. SPECIFICALLY DISCLAIMS ANY LIABILITY FOR THE USE OF THIS DETAIL AND FOR THE ARCHITECTURE, DESIGN, ENGINEERING, OR WORKMANSHIP OF ANY PROJECT. THE PROJECT DESIGN PROFESSIONAL DETERMINES, IN ITS SOLE DISCRETION, WHETHER THIS DETAIL OR A FUNCTIONALLY EQUIVALENT ALTERNATIVE IS BEST SUITED FOR THE THE PROJECT. USE OF A FUNCTIONALLY EQUIVALENT DETAIL DOES NOT VIOLATE OMEGA'S WARRANTY. THIS DETAIL IS SUBJECT TO CHANGE WITHOUT NOTICE. CONTACT OMEGA TO INSURE YOU HAVE THE MOST RECENT VERSION.



CORPORATE OFFICE
 1681 CALIFORNIA AVE., CORONA, CA 92881
 E-MAIL: INFO@OMEGA-PRODUCTS.COM
 WEBSITE: WWW.OMEGA-PRODUCTS.COM

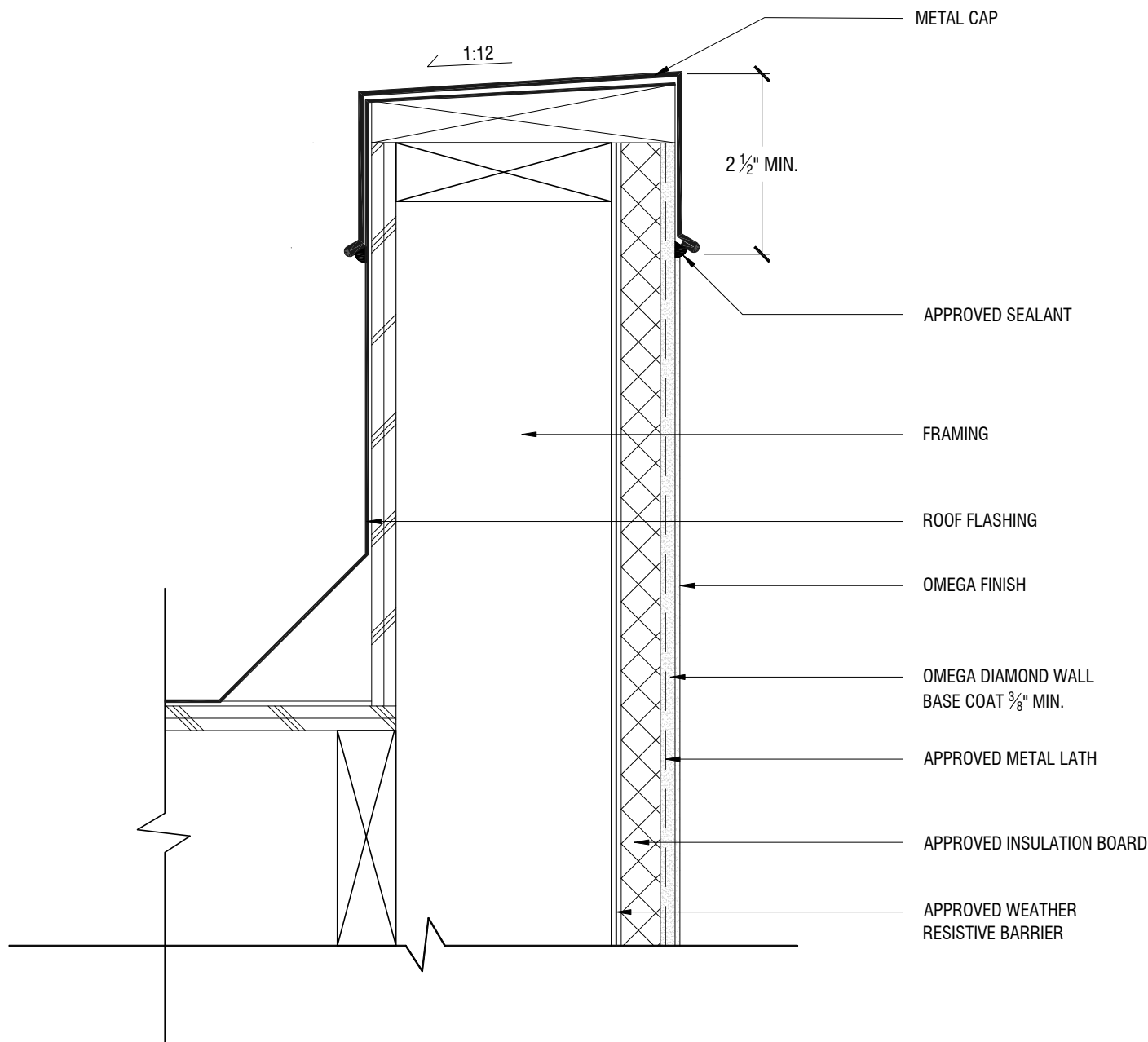
DIAMOND WALL ONE-COAT INSULATING SYSTEM DETAILS

TYPICAL TERMINATION AT WINDOW HEAD AND SILL

SCALE: 3"=1'-0"

DRAWING NO.: DWI 09.00

DRAWN: JUNE 2011



METAL CAP

1:12

2 1/2" MIN.

APPROVED SEALANT

FRAMING

ROOF FLASHING

OMEGA FINISH

OMEGA DIAMOND WALL
BASE COAT 3/8" MIN.

APPROVED METAL LATH

APPROVED INSULATION BOARD

APPROVED WEATHER
RESISTIVE BARRIER

THE ARCHITECTURE, ENGINEERING, AND DESIGN OF THE PROJECT USING OMEGA PRODUCTS IS THE RESPONSIBILITY OF THE PROJECT'S DESIGN PROFESSIONAL. ALL SYSTEMS MUST COMPLY WITH LOCAL BUILDING CODES AND STANDARDS. THIS DETAIL IS FOR GENERAL INFORMATION AND GUIDANCE ONLY, AND OMEGA INC. SPECIFICALLY DISCLAIMS ANY LIABILITY FOR THE USE OF THIS DETAIL AND FOR THE ARCHITECTURE, DESIGN, ENGINEERING, OR WORKMANSHIP OF ANY PROJECT. THE PROJECT DESIGN PROFESSIONAL DETERMINES, IN ITS SOLE DISCRETION, WHETHER THIS DETAIL OR A FUNCTIONALLY EQUIVALENT ALTERNATIVE IS BEST SUITED FOR THE THE PROJECT. USE OF A FUNCTIONALLY EQUIVALENT DETAIL DOES NOT VIOLATE OMEGA'S WARRANTY. THIS DETAIL IS SUBJECT TO CHANGE WITHOUT NOTICE. CONTACT OMEGA TO INSURE YOU HAVE THE MOST RECENT VERSION.



CORPORATE OFFICE
1681 CALIFORNIA AVE., CORONA, CA 92881
E-MAIL: INFO@OMEGA-PRODUCTS.COM
WEBSITE: WWW.OMEGA-PRODUCTS.COM

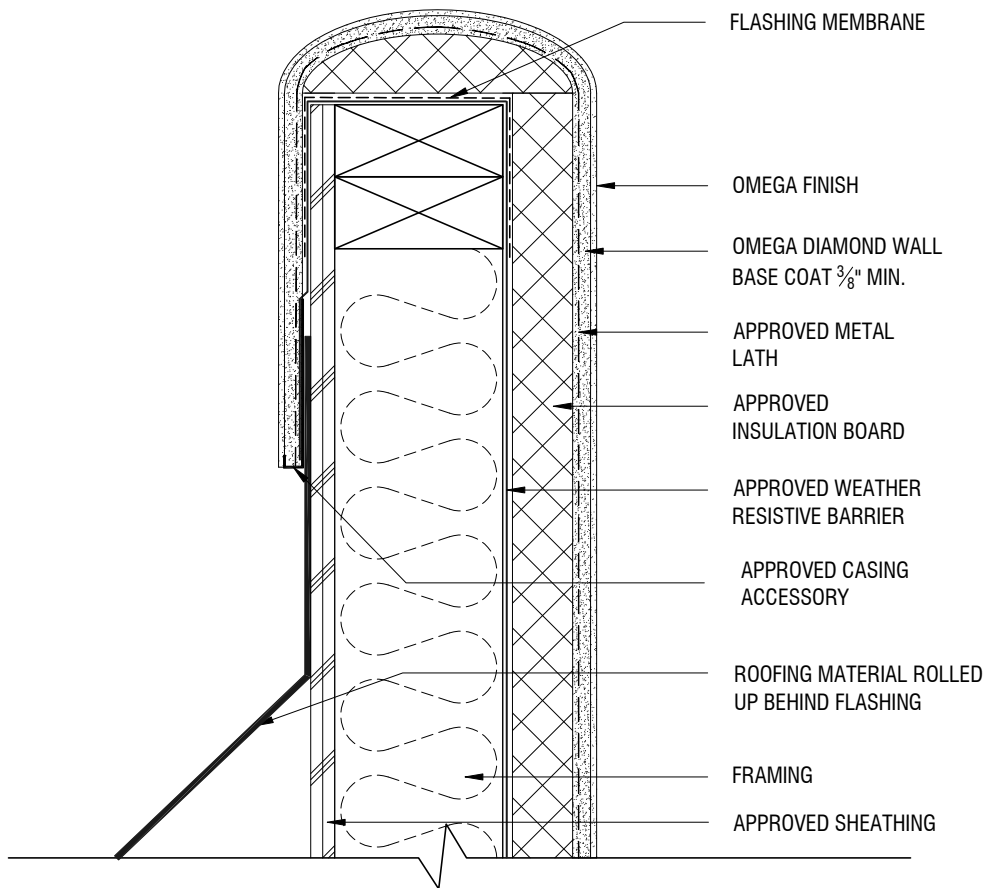
DIAMOND WALL ONE-COAT INSULATING SYSTEM DETAILS

TYPICAL PARAPET WITH METAL CAP

SCALE: 3"=1'-0"

DRAWING NO.: DWI 10.00

DRAWN: JUNE 2011



FLASHING MEMBRANE

OMEGA FINISH

OMEGA DIAMOND WALL
BASE COAT 3/8" MIN.

APPROVED METAL
LATH

APPROVED
INSULATION BOARD

APPROVED WEATHER
RESISTIVE BARRIER

APPROVED CASING
ACCESSORY

ROOFING MATERIAL ROLLED
UP BEHIND FLASHING

FRAMING

APPROVED SHEATHING

THE ARCHITECTURE, ENGINEERING, AND DESIGN OF THE PROJECT USING OMEGA PRODUCTS IS THE RESPONSIBILITY OF THE PROJECT'S DESIGN PROFESSIONAL. ALL SYSTEMS MUST COMPLY WITH LOCAL BUILDING CODES AND STANDARDS. THIS DETAIL IS FOR GENERAL INFORMATION AND GUIDANCE ONLY, AND OMEGA INC. SPECIFICALLY DISCLAIMS ANY LIABILITY FOR THE USE OF THIS DETAIL AND FOR THE ARCHITECTURE, DESIGN, ENGINEERING, OR WORKMANSHIP OF ANY PROJECT. THE PROJECT DESIGN PROFESSIONAL DETERMINES, IN ITS SOLE DISCRETION, WHETHER THIS DETAIL OR A FUNCTIONALLY EQUIVALENT ALTERNATIVE IS BEST SUITED FOR THE THE PROJECT. USE OF A FUNCTIONALLY EQUIVALENT DETAIL DOES NOT VIOLATE OMEGA'S WARRANTY. THIS DETAIL IS SUBJECT TO CHANGE WITHOUT NOTICE. CONTACT OMEGA TO INSURE YOU HAVE THE MOST RECENT VERSION.



CORPORATE OFFICE
1681 CALIFORNIA AVE., CORONA, CA 92881
E-MAIL: INFO@OMEGA-PRODUCTS.COM
WEBSITE: WWW.OMEGA-PRODUCTS.COM

DIAMOND WALL ONE-COAT INSULATING SYSTEM DETAILS

TYPICAL PARAPET

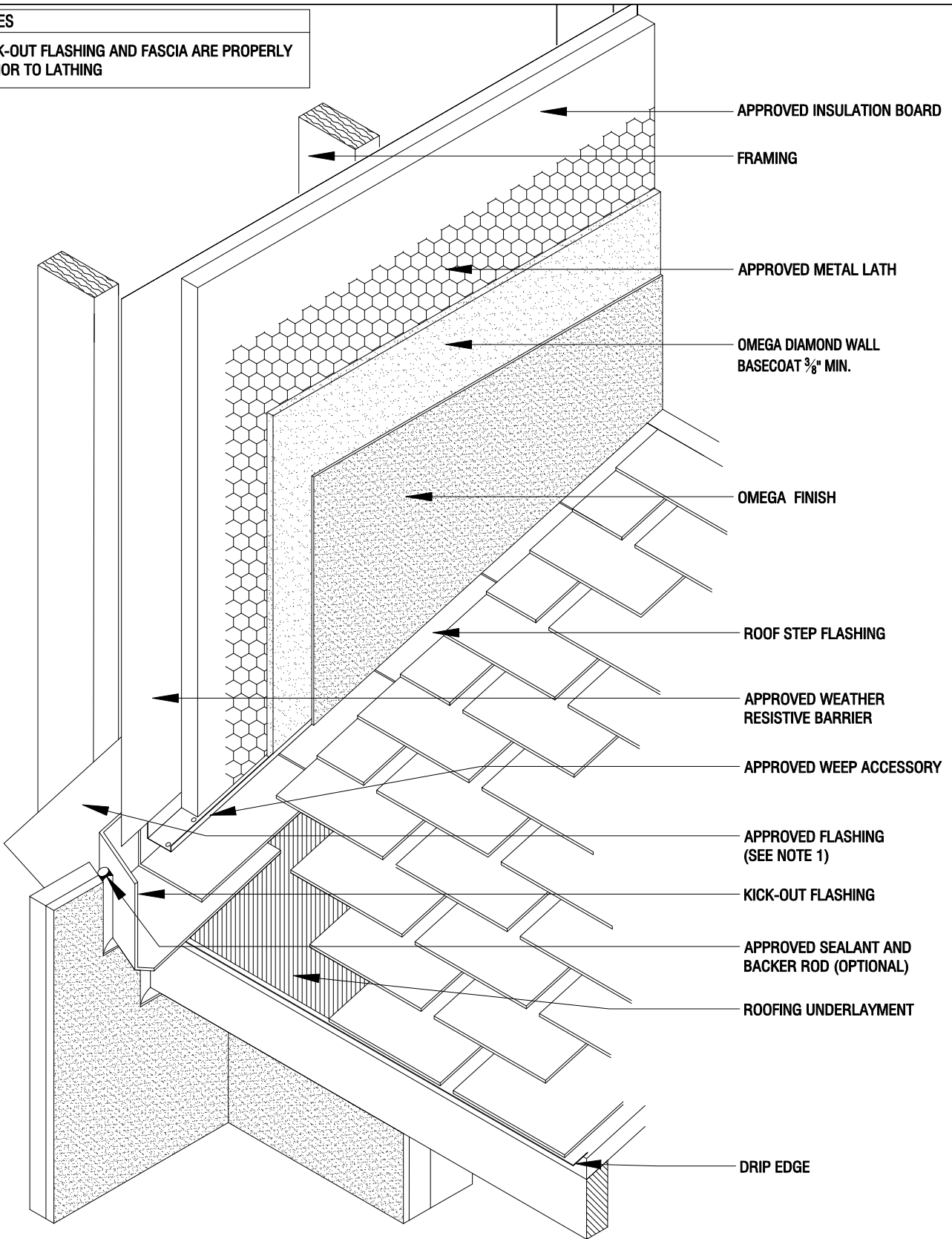
SCALE: 3"=1'-0"

DRAWING NO.: DWI 11.00

DRAWN: JUNE 2011

NOTES

1. ENSURE KICK-OUT FLASHING AND FASCIA ARE PROPERLY FLASHED PRIOR TO LATHING



THE ARCHITECTURE, ENGINEERING, AND DESIGN OF THE PROJECT USING OMEGA PRODUCTS IS THE RESPONSIBILITY OF THE PROJECT'S DESIGN PROFESSIONAL. ALL SYSTEMS MUST COMPLY WITH LOCAL BUILDING CODES AND STANDARDS. THIS DETAIL IS FOR GENERAL INFORMATION AND GUIDANCE ONLY, AND OMEGA INC. SPECIFICALLY DISCLAIMS ANY LIABILITY FOR THE USE OF THIS DETAIL AND FOR THE ARCHITECTURE, DESIGN, ENGINEERING, OR WORKMANSHIP OF ANY PROJECT. THE PROJECT DESIGN PROFESSIONAL DETERMINES, IN ITS SOLE DISCRETION, WHETHER THIS DETAIL OR A FUNCTIONALLY EQUIVALENT ALTERNATIVE IS BEST SUITED FOR THE THE PROJECT. USE OF A FUNCTIONALLY EQUIVALENT DETAIL DOES NOT VIOLATE OMEGA'S WARRANTY. THIS DETAIL IS SUBJECT TO CHANGE WITHOUT NOTICE. CONTACT OMEGA TO INSURE YOU HAVE THE MOST RECENT VERSION.



CORPORATE OFFICE
 1681 CALIFORNIA AVE., CORONA, CA 92881
 E-MAIL: INFO@OMEGA-PRODUCTS.COM
 WEBSITE: WWW.OMEGA-PRODUCTS.COM

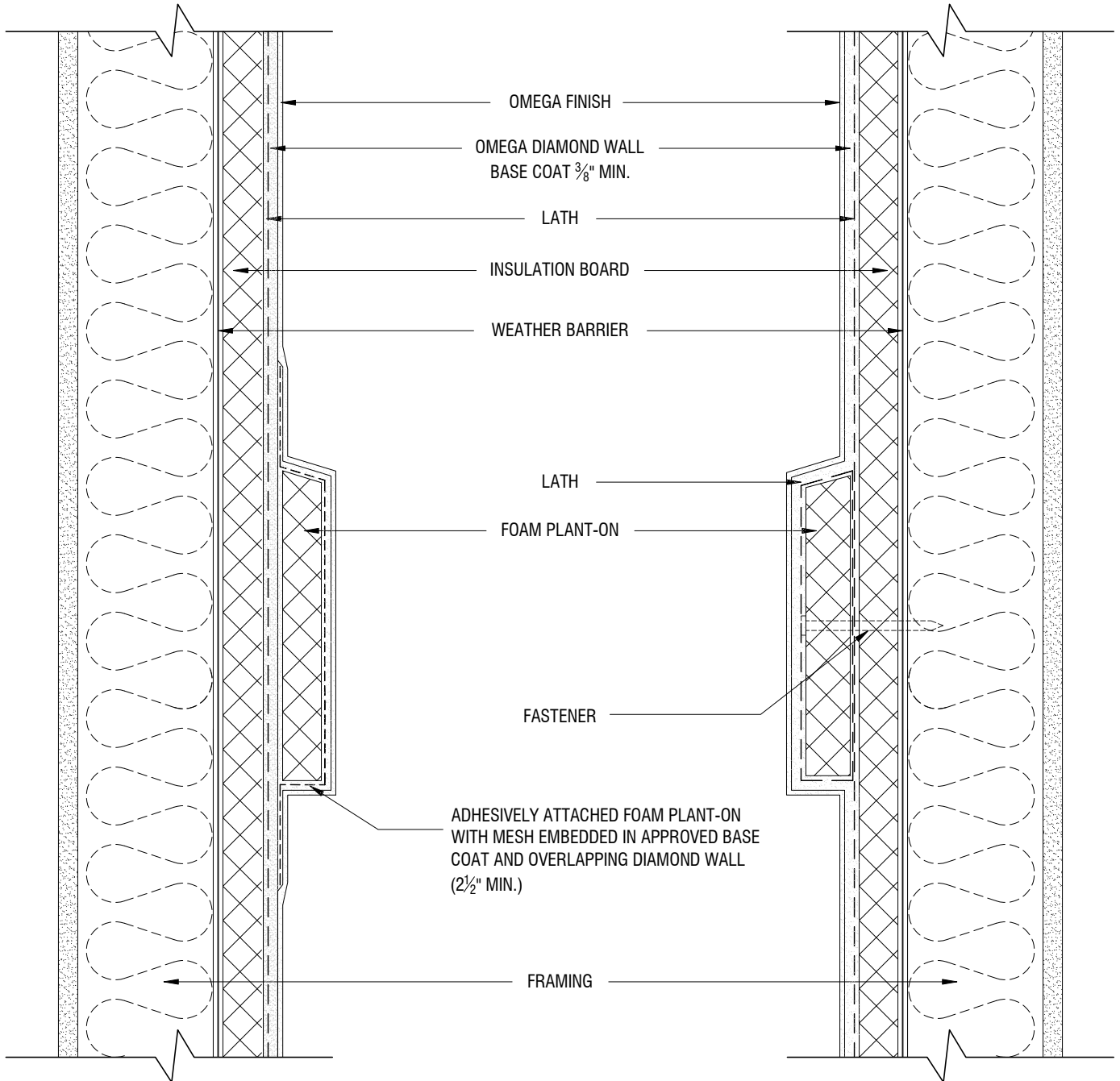
DIAMOND WALL ONE-COAT INSULATING SYSTEM DETAILS

ROOF/WALL KICK-OUT FLASHING DETAIL

SCALE: 3"=1'-0"

DRAWING NO.: DWI 12.00

DRAWN: JUNE 2011



THE ARCHITECTURE, ENGINEERING, AND DESIGN OF THE PROJECT USING OMEGA PRODUCTS IS THE RESPONSIBILITY OF THE PROJECT'S DESIGN PROFESSIONAL. ALL SYSTEMS MUST COMPLY WITH LOCAL BUILDING CODES AND STANDARDS. THIS DETAIL IS FOR GENERAL INFORMATION AND GUIDANCE ONLY, AND OMEGA INC. SPECIFICALLY DISCLAIMS ANY LIABILITY FOR THE USE OF THIS DETAIL AND FOR THE ARCHITECTURE, DESIGN, ENGINEERING, OR WORKMANSHIP OF ANY PROJECT. THE PROJECT DESIGN PROFESSIONAL DETERMINES, IN ITS SOLE DISCRETION, WHETHER THIS DETAIL OR A FUNCTIONALLY EQUIVALENT ALTERNATIVE IS BEST SUITED FOR THE THE PROJECT. USE OF A FUNCTIONALLY EQUIVALENT DETAIL DOES NOT VIOLATE OMEGA'S WARRANTY. THIS DETAIL IS SUBJECT TO CHANGE WITHOUT NOTICE. CONTACT OMEGA TO INSURE YOU HAVE THE MOST RECENT VERSION.



CORPORATE OFFICE
 1681 CALIFORNIA AVE., CORONA, CA 92881
 E-MAIL: INFO@OMEGA-PRODUCTS.COM
 WEBSITE: WWW.OMEGA-PRODUCTS.COM

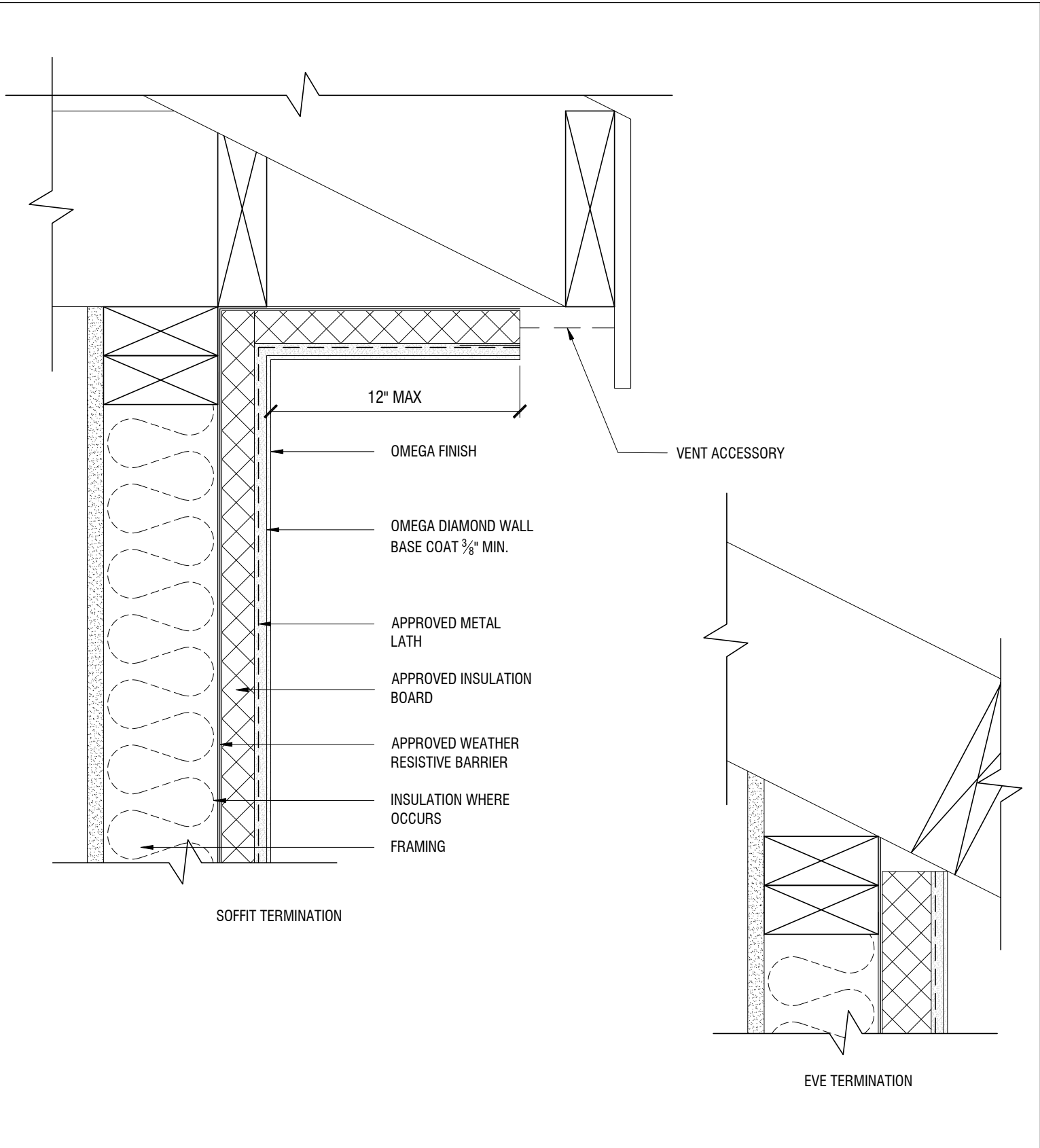
DIAMOND WALL ONE-COAT INSULATING SYSTEM DETAILS

TYPICAL FOAM PLANT-ONS

SCALE: 3"=1'-0"

DRAWING NO.: DWI 13.00

DRAWN: JUNE 2011



THE ARCHITECTURE, ENGINEERING, AND DESIGN OF THE PROJECT USING OMEGA PRODUCTS IS THE RESPONSIBILITY OF THE PROJECT'S DESIGN PROFESSIONAL. ALL SYSTEMS MUST COMPLY WITH LOCAL BUILDING CODES AND STANDARDS. THIS DETAIL IS FOR GENERAL INFORMATION AND GUIDANCE ONLY, AND OMEGA INC. SPECIFICALLY DISCLAIMS ANY LIABILITY FOR THE USE OF THIS DETAIL AND FOR THE ARCHITECTURE, DESIGN, ENGINEERING, OR WORKMANSHIP OF ANY PROJECT. THE PROJECT DESIGN PROFESSIONAL DETERMINES, IN ITS SOLE DISCRETION, WHETHER THIS DETAIL OR A FUNCTIONALLY EQUIVALENT ALTERNATIVE IS BEST SUITED FOR THE THE PROJECT. USE OF A FUNCTIONALLY EQUIVALENT DETAIL DOES NOT VIOLATE OMEGA'S WARRANTY. THIS DETAIL IS SUBJECT TO CHANGE WITHOUT NOTICE. CONTACT OMEGA TO INSURE YOU HAVE THE MOST RECENT VERSION.



CORPORATE OFFICE
1681 CALIFORNIA AVE., CORONA, CA 92881
E-MAIL: INFO@OMEGA-PRODUCTS.COM
WEBSITE: WWW.OMEGA-PRODUCTS.COM

DIAMOND WALL ONE-COAT INSULATING SYSTEM DETAILS

SOFFIT AND EVE TERMINATIONS

SCALE: 3"=1'-0"

DRAWING NO.: DWI 14.00

DRAWN: JUNE 2011